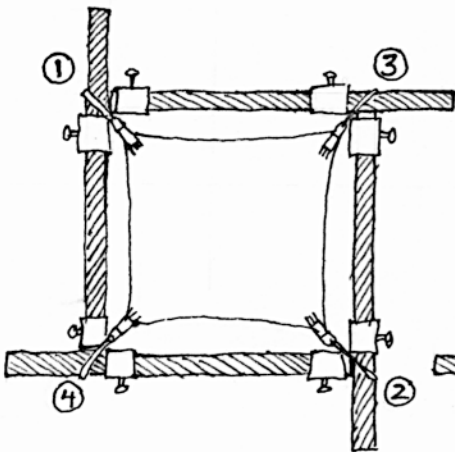
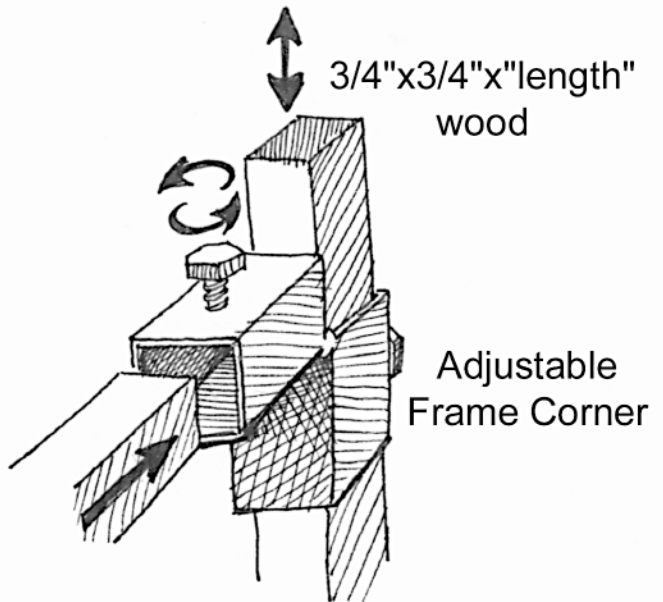
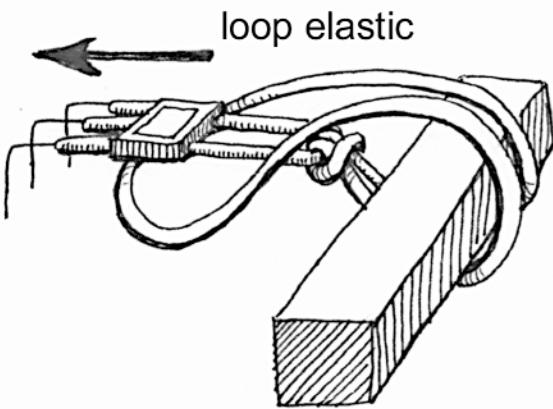
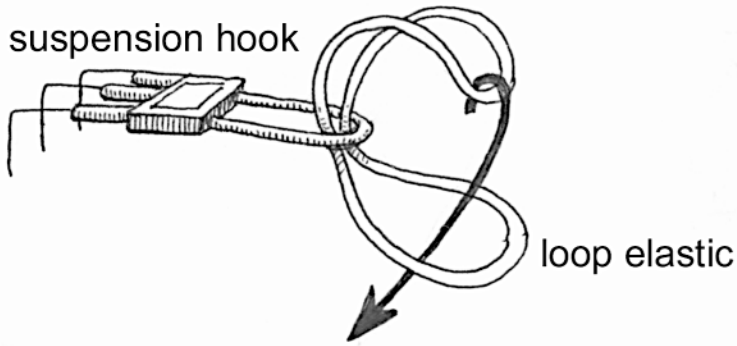
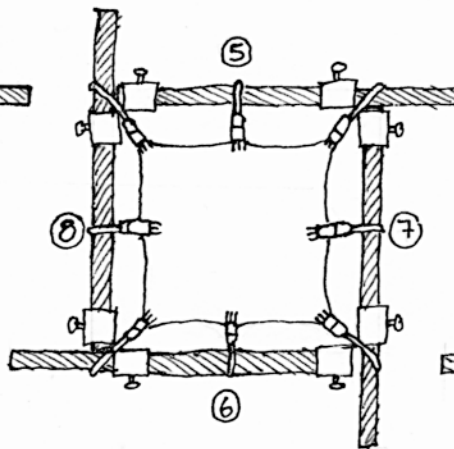


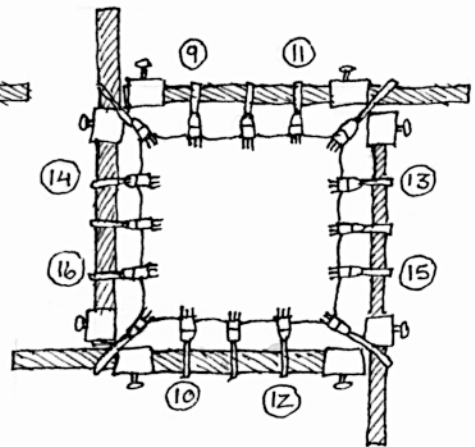
Setting up a G&S Adjustable Frame



- adjust frame to be 3"-4" larger than fabric all around
- hook corners of your piece first



- hook up middle



- add 2-4 more hooks on each side depending on size of fabric
- slightly increase or decrease frame size to tighten or loosen tension of fabric
- remove hooks in reverse order